



CUSTOM KIOSK DESIGN

UNPARALLELED ENGINEERING EXPERTISE

FOR CUSTOM KIOSK SOLUTIONS

KIOSK INFORMATION SYSTEMS CUSTOM KIOSK DESIGN
CALL TOLL FREE: 1.800.509.5471 OR VISIT US ONLINE AT WWW.KIOSK.COM

BEYOND THE GREY BOX...

Executing sophisticated self-service concepts is KIOSK's undisputed industry "sweet spot." In fact, the more complex the design, the quicker the market turns to KIOSK's niche custom engineering experience. Our proprietary design process has been fine-tuned by literally thousands of custom deployments - representing over half of the 200,000 KIOSK solutions in the field.

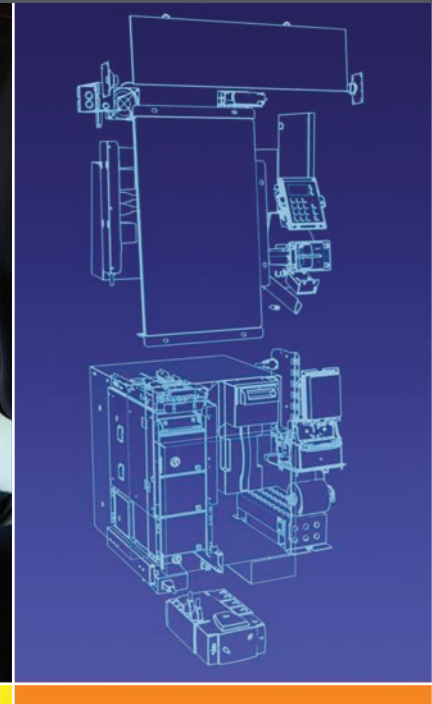
Leveraging KIOSK's design process expertise ensures clients of program simplicity and rapid first-pass design success, without sacrificing on creativity. From small standard model component tweaks, to the most sophisticated self-service component integration - KIOSK will cut the cleanest path to overall program success.

OVERVIEW OF KIOSK'S CUSTOM DESIGN APPROACH:

Covering over 70 key project points, this ISO9001:2008 Certified Engineering Process Document enables customer design considerations to take shape from a fully defined project framework.

The main elements of this initial phase of custom design definition include:

- Project overview
- Kiosk component requirements
- Enclosure design criteria
 - Materials
 - Functionality
 - Ergonomics
 - Security
 - Artwork
 - Shipping
 - Installation
 - Serviceability
 - Miscellaneous



DESIGN CRITERIA CONCEPTION

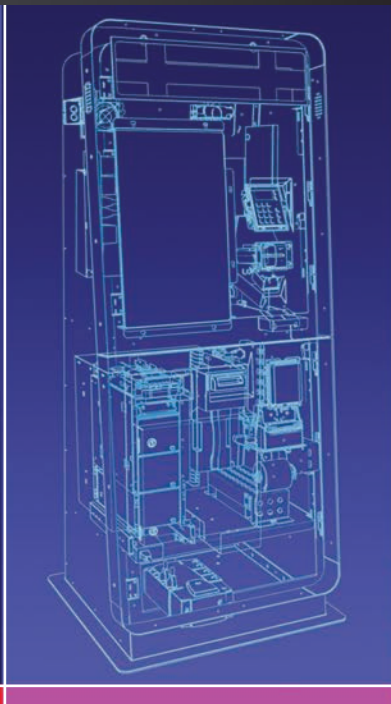
Initial client consultations are guided by KIOSK's proprietary Engineering Process Document to methodically create the initial design criteria for all aspects of the kiosk. This comprehensive criteria set includes the target manufacturing budget, project schedule, component requirements, installation, and expandability, among other aspects of the design.

This definition phase results in the Design Criteria Document that guides project members during the development process. This is a continuously evolving tool that KIOSK uses to anticipate all design issues up front, and leverages the design nuances / experience gained on thousands of prior designs.

COMPONENT EVALUATION & MODELING

KIOSK then procures required electronic components identified under the Design Criteria Document, bench testing each component with customer-specific software, ensuring full compatibility. Clients review the component specifications and document approval.

Next, KIOSK begins initial component layout modeling to include in the overall enclosure options.



INDUSTRIAL DESIGN & RENDERINGS



MECHANICAL DESIGN & REVIEW



AGENCY CERTIFICATION / PROTOTYPE BUILD



INSTALLATION & DEPLOYMENT

Following approval of the component set, KIOSK develops initial renderings and mechanical drawings to prove correct component placement and jointly create the client's desired overall equipment aesthetics. This is an iterative and interactive process where KIOSK's Industrial and Mechanical Engineering team work closely with the customer's design and project team members. Multiple creative options are presented that are consistently designed for manufacturability, and engineered for easy service / peak reliability.

KIOSK advances the design to a complete set of mechanical drawings and computer generated renderings. A subsequent design review of the engineering drawings results in a checklist of changes. As needed, KIOSK revises the drawings and generates renderings with optimally arranged and modeled components for customer feedback / approval on concept and mechanical drawings. Any modifications are closed to customer guidelines, resulting in a finalized and signed design.

Post design review, KIOSK does a "dry fit" test - assembling all prototype components into the enclosure metals. Upon approval; paint, artwork, and final assembly are completed for first article production. All phases of prototype development and production are provided in-house.

During development, KIOSK's Compliance Engineers perform UL and FCC testing in an in-house Safety Testing lab. They prepare agency filing documents, enabling final UL inspection to occur on-site, rather than shipping units off to UL. This proactive approach *significantly* accelerates time to market.

Following prototype delivery, KIOSK has 115,000 square feet of dedicated manufacturing capacity poised to facilitate the steepest of production ramps. KIOSK's manufacturing model can accommodate a wide volume spectrum - from very small production runs, to hundreds of units / week. Both ends of the volume continuum are treated with equal care and expert attention.

Comprehensive Field and Managed Services are readily available for seamless deployment support.

To get started with a personal consultation on custom kiosk design, or to request a quote please contact the KIOSK Sales Team: 1.800.509.5471 or email sales@kiosk.com.

KIOSK QUICK INFO



- Founded in 1993 and headquartered in Louisville, Colorado, **KIOSK Information Systems** is the World Leader in Custom Self-Service Solutions.
- **KIOSK** provides unparalleled expertise and Sole Source management of Software Application and Platform Design, Program Management, Manufacturing, and Field / Managed Services for turnkey deployment success.
- **KIOSK's** best-in-class solutions embody agile and modular design disciplines focused on customer-tailored success for virtually all self-service vertical markets.



To view a full portfolio of KIOSK's custom design work, please visit www.kiosk.com - Custom Gallery



ADDRESS: 346 SOUTH ARTHUR AVENUE • LOUISVILLE, CO 80027
PHONE: 303.466.5471 • TOLL-FREE: **1.800.509.5471**
FAX: 303.466.6730 • EMAIL: SALES@KIOSK.COM • WEB: **WWW.KIOSK.COM**