

8

7

6

5

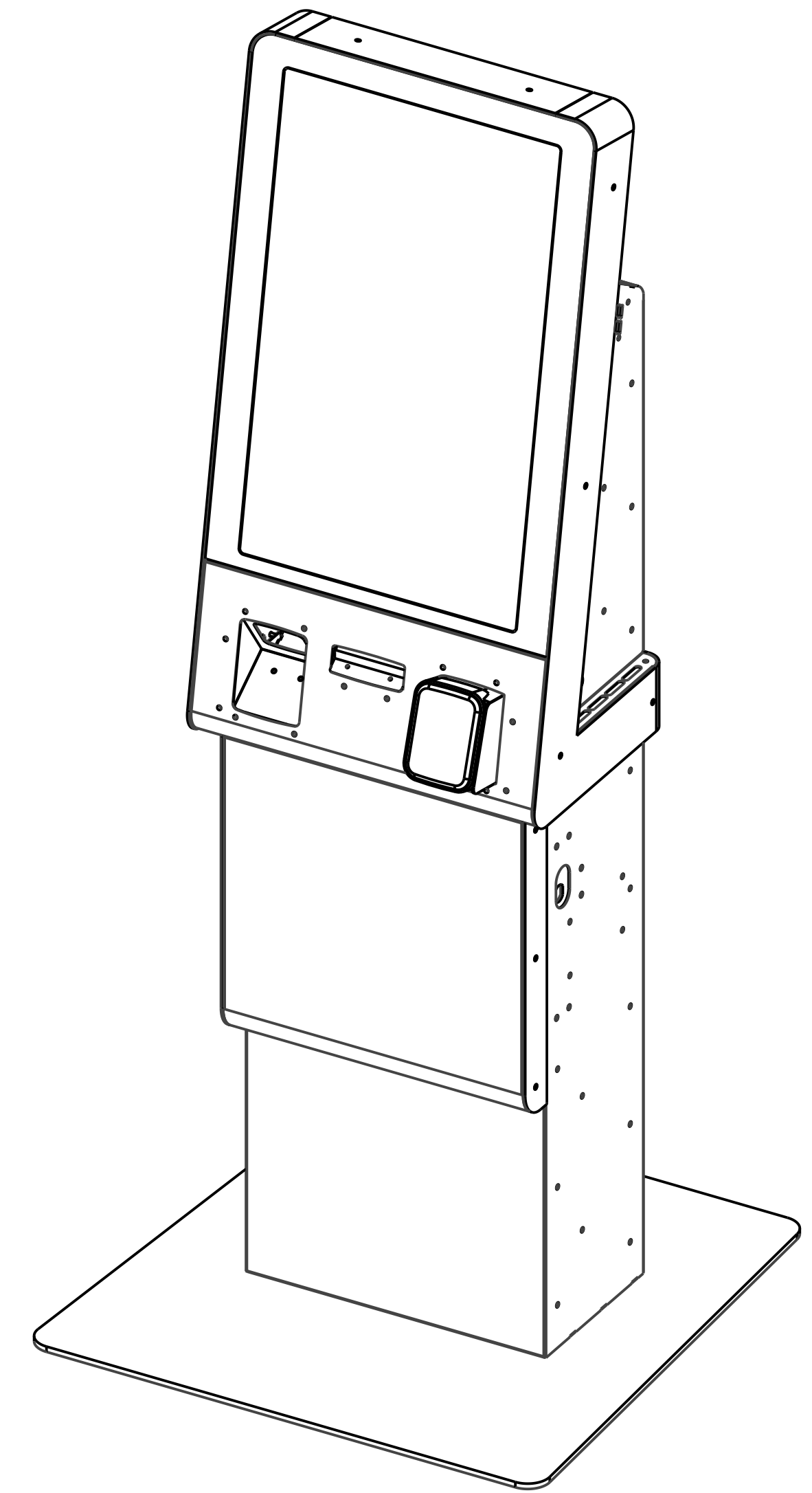
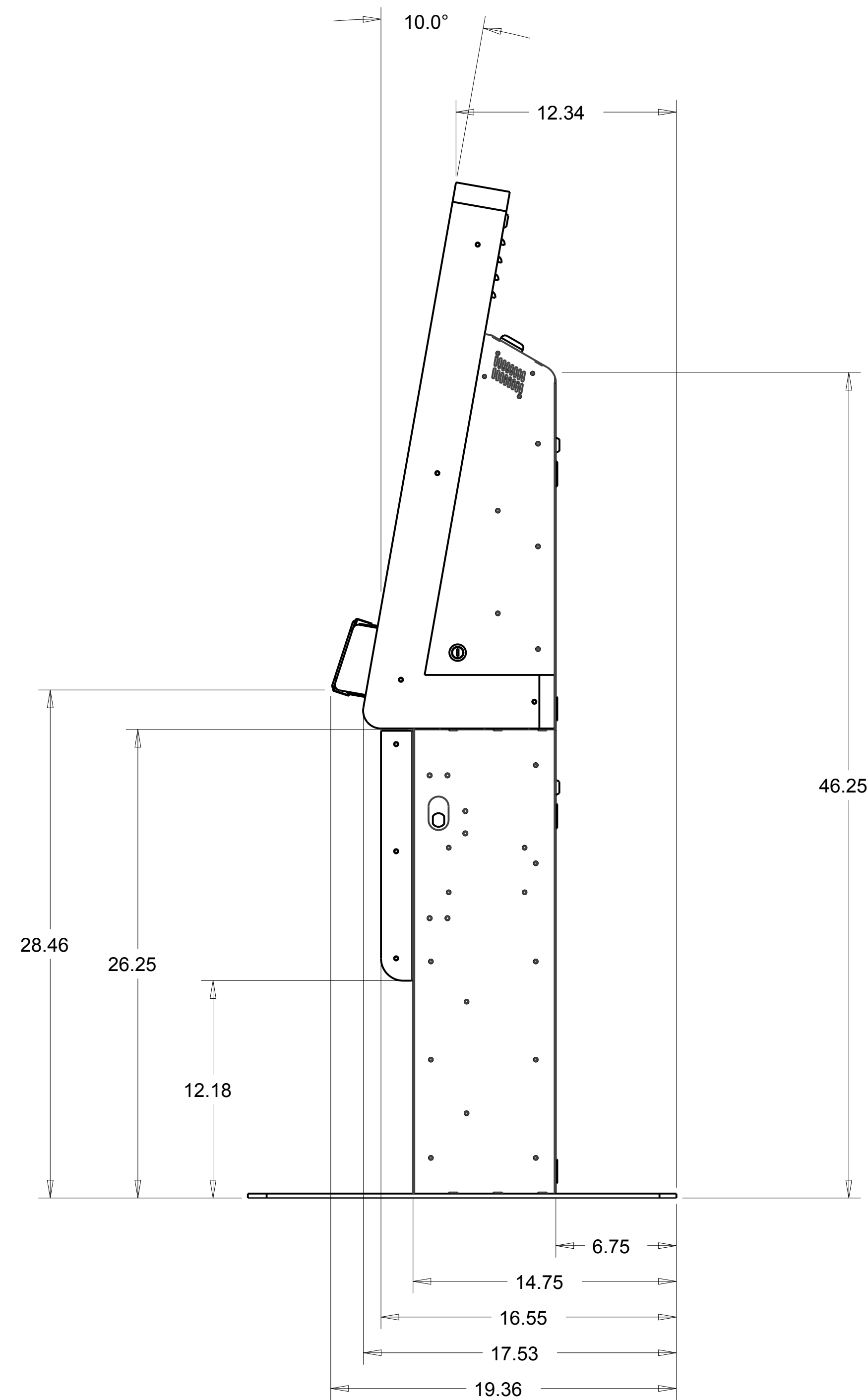
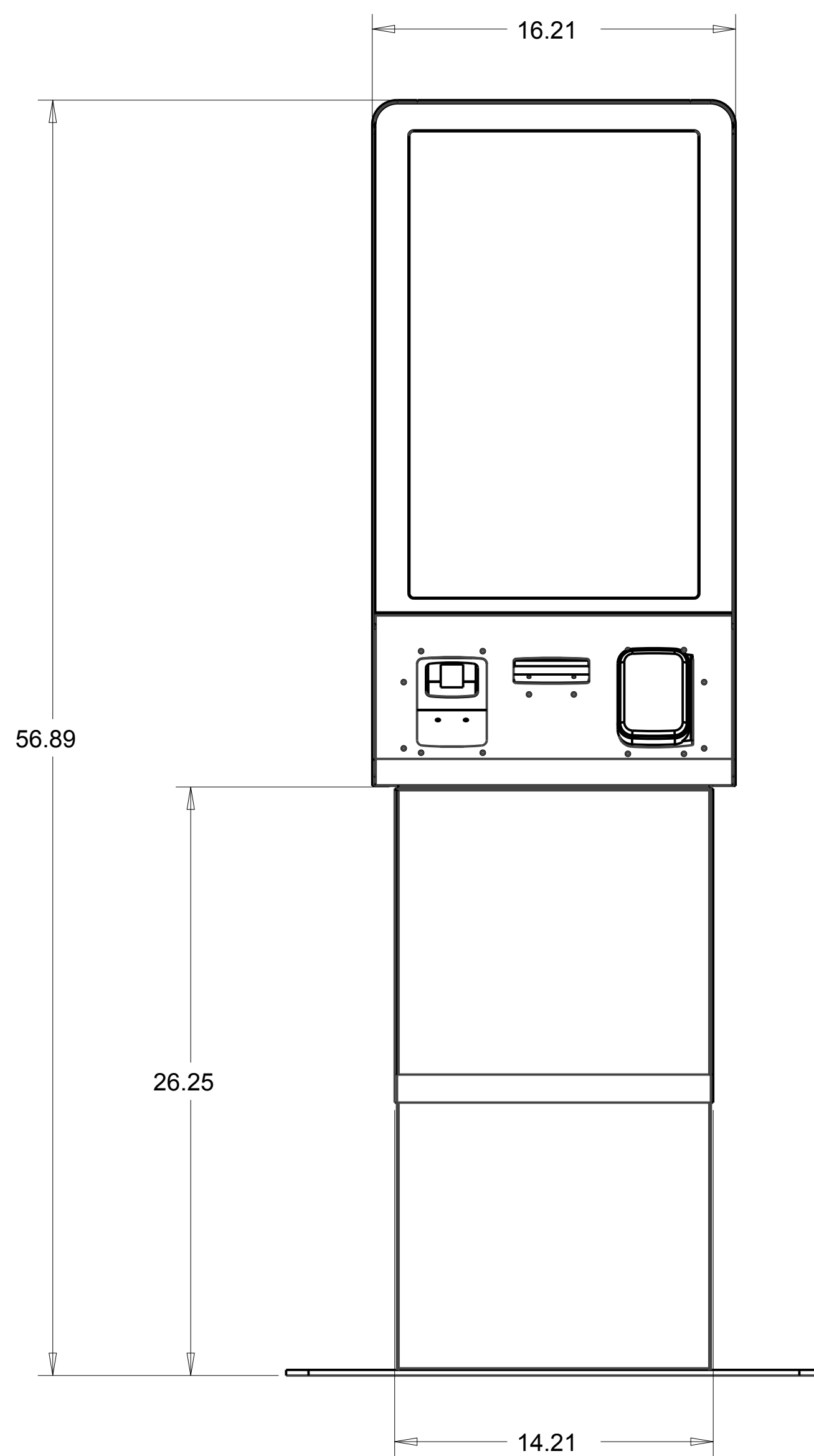
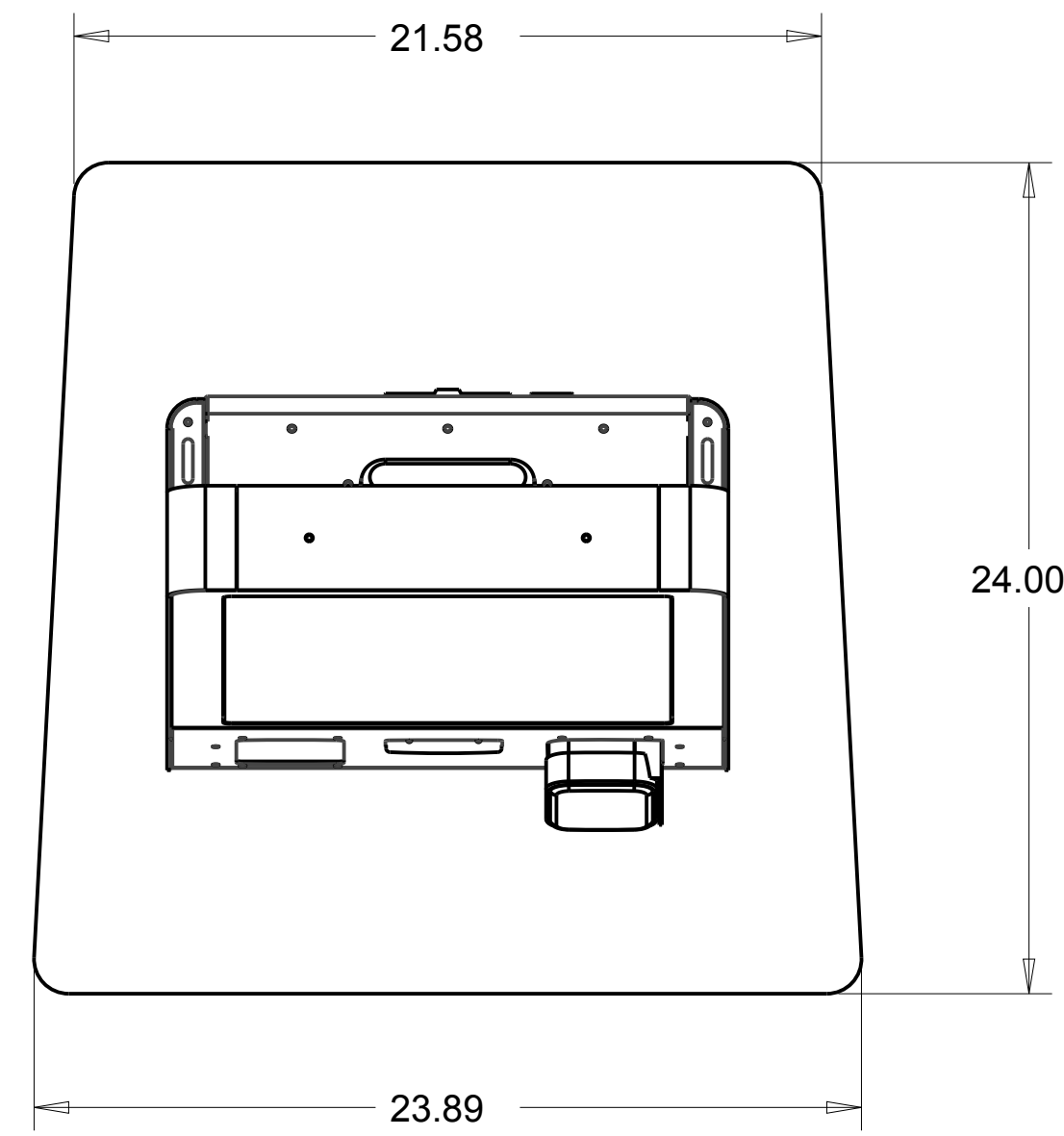
4

3

1

### REVISIONS

REV	DESCRIPTION	ENG	DATE
1.0	INITIAL RELEASE	ALD	11/9/2016



ALL DIMENSIONS ARE IN INCHES UNLESS OTHERWISE SPECIFIED.  
THIS DRAWING IS THE PROPERTY OF KIOSK INFORMATION SYSTEMS, INC.

**KIOSK** Information Systems 346 S ARTHUR AVE. LOUISVILLE, CO 80027

PART DESCRIPTION-  
**POSIFLEX DEMO  
PEDESTAL VERSION**

ENGINEER-	ALD	PART NUMBER-	EV666	REV-	1.0
DATE-	11/9/2016				

7

6

5

4

3

2

1

8

7

6

5

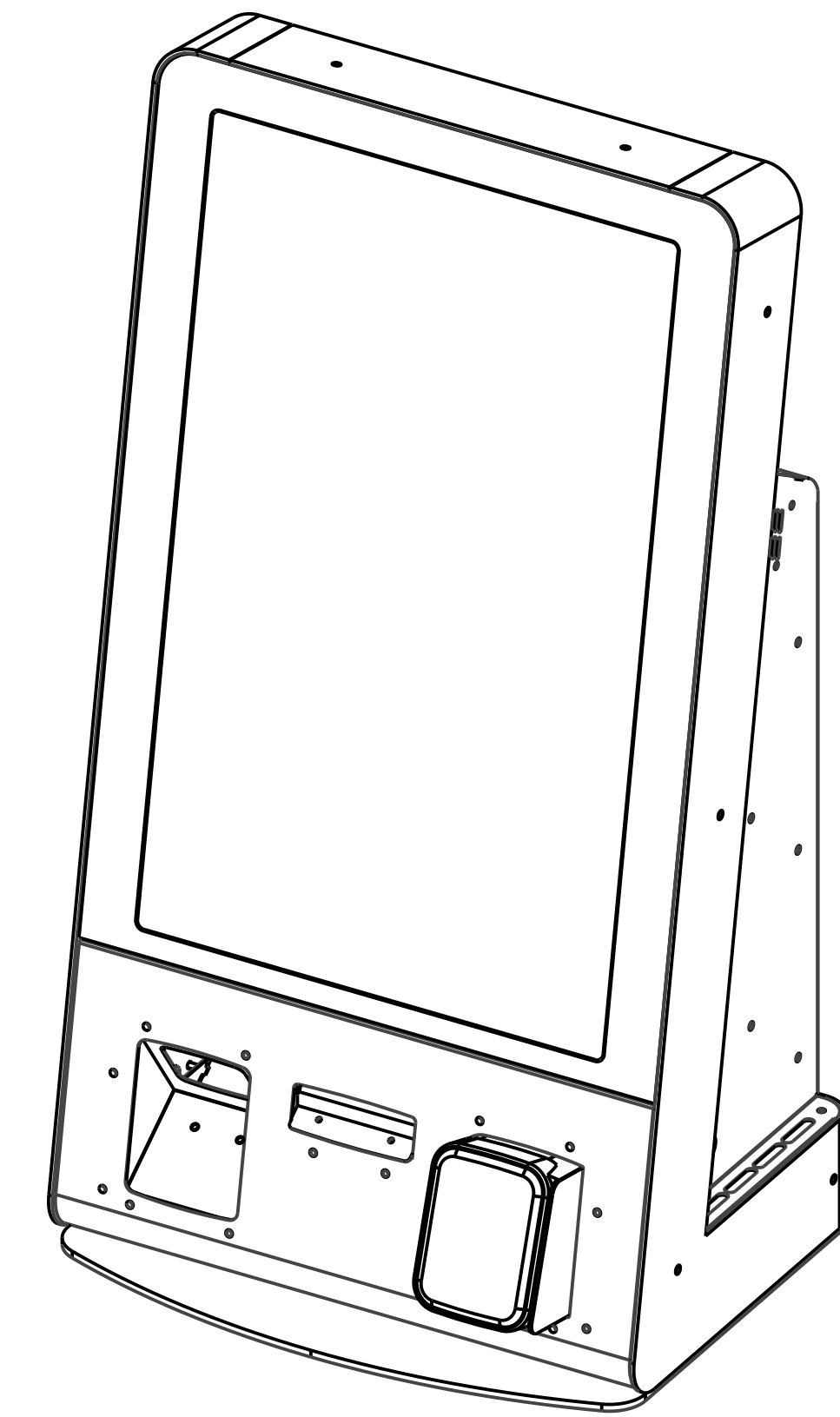
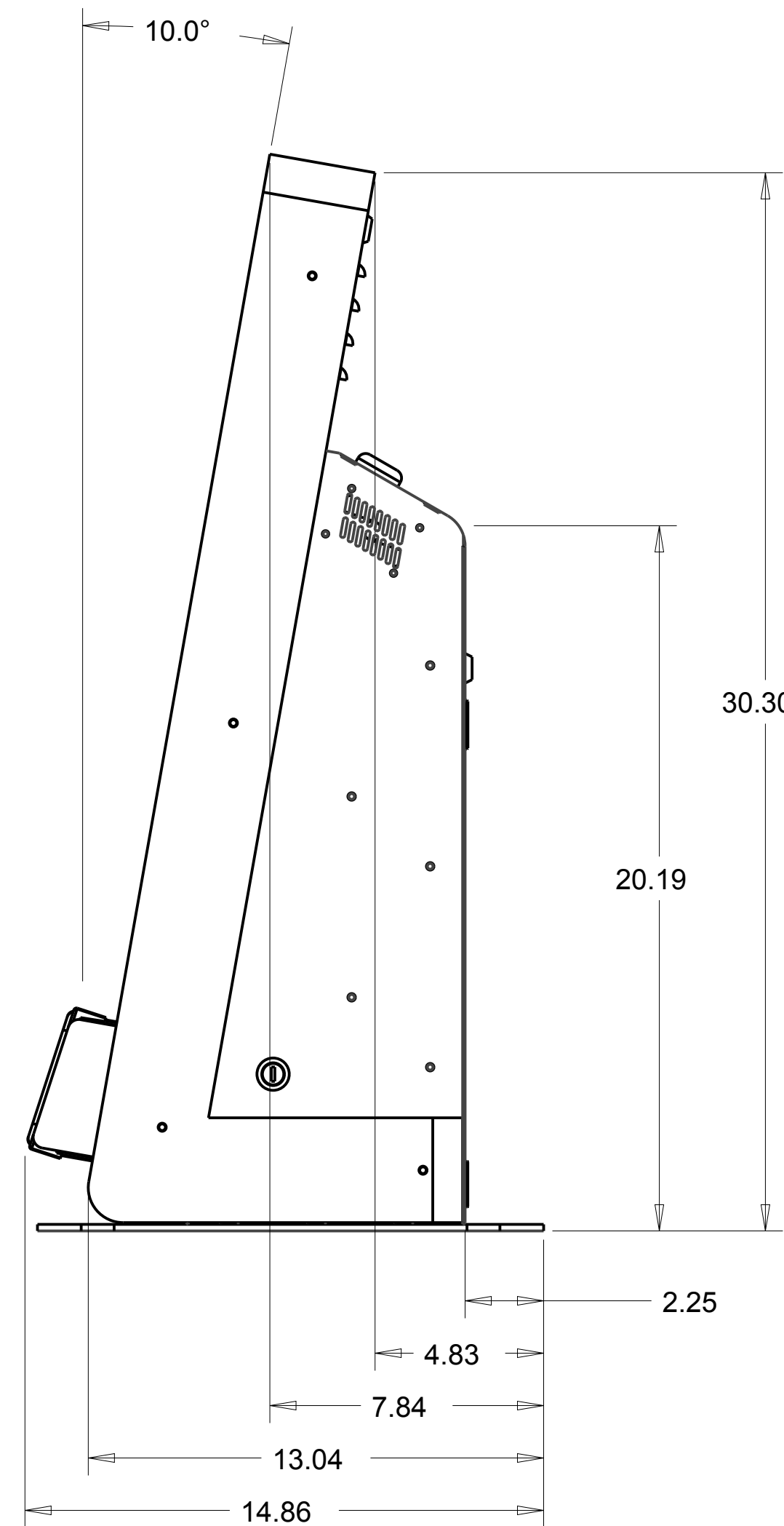
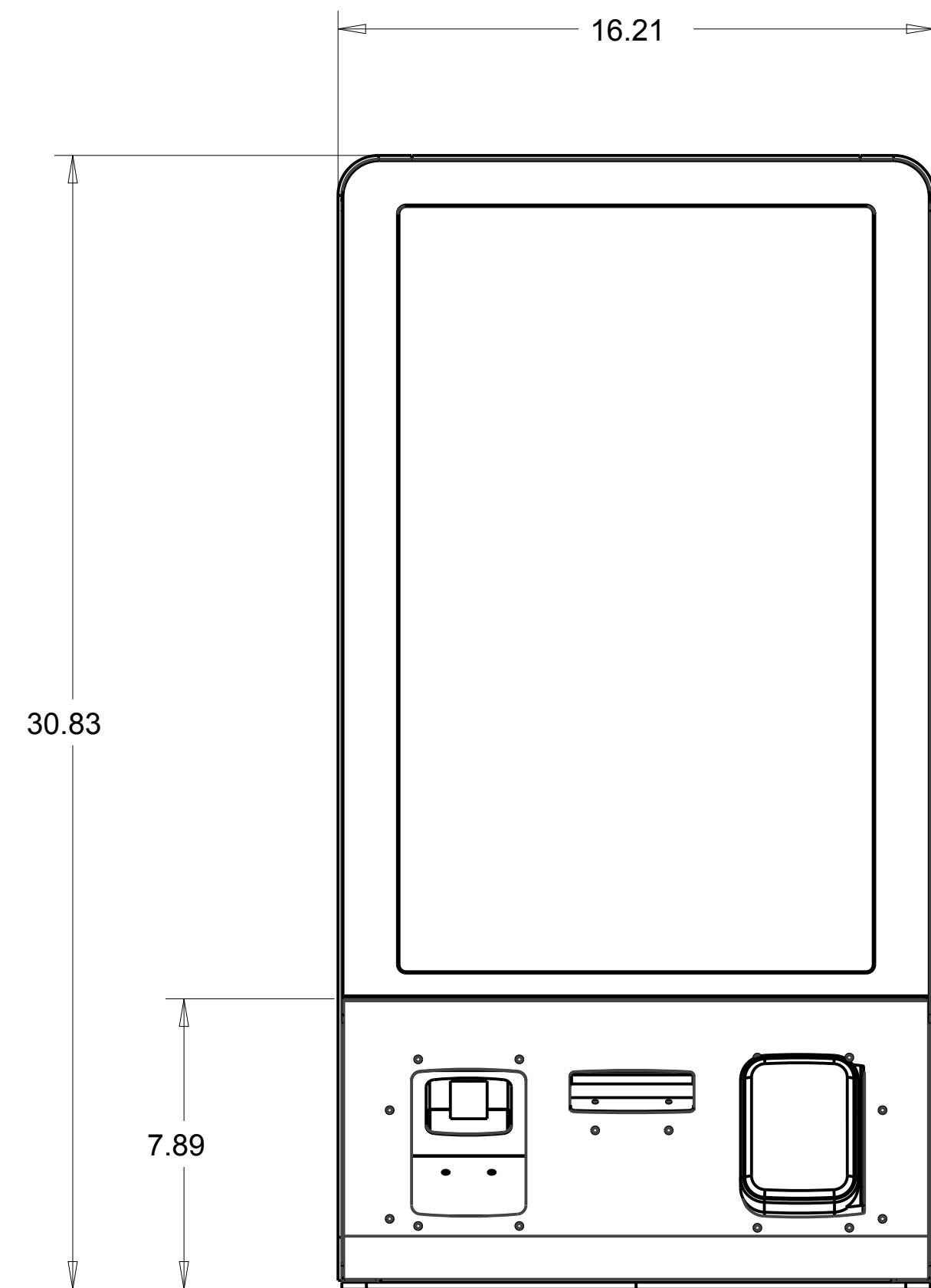
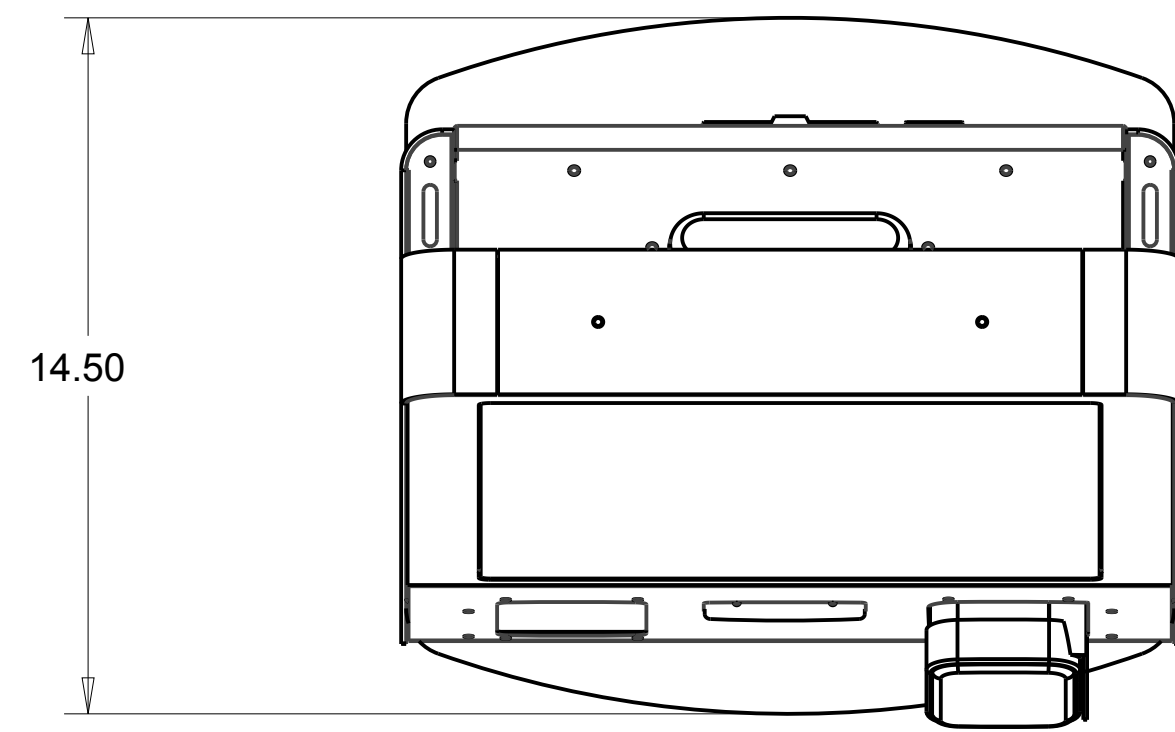
4

3

1

### REVISIONS

REV	DESCRIPTION	ENG	DATE
1.0	INITIAL RELEASE	ALD	11/9/2016



ALL DIMENSIONS ARE IN INCHES UNLESS OTHERWISE SPECIFIED.  
THIS DRAWING IS THE PROPERTY OF KIOSK INFORMATION SYSTEMS, INC.

**KIOSK** Information Systems 346 S ARTHUR AVE. LOUISVILLE, CO 80027

PART DESCRIPTION-  
**POSIFLEX DEMO COUNTERTOP VERSION**

ENGINEER-	ALD	PART NUMBER-	EV671	REV-	1.0
DATE-	11/9/2016				

7

6

5

4

3

2

1

D

D

C

C

B

B

A

A